

VIRTUAL PRIVATE DATA CENTER

HOW VIRTUALIZATION IMPROVES THE PROVISIONING OF SAP SYSTEM LANDSCAPES

SAP VALUE PROTOTYPING /
CENTER OF EXCELLENCE



"STRETCH THE BOUNDARIES OF SAP" WITH VALUE PROTOTYPING

Value Prototyping lets customers innovate their business and accelerate results -- all at the same time -- in a secure ideal Lab environment.

Invest only 5-10% of your total SAP budget to prototype your greatest project challenges first -- and reduce risks by 90%. Value Prototyping will get you:

- Greater confidence
- Faster results
- Lower cost.

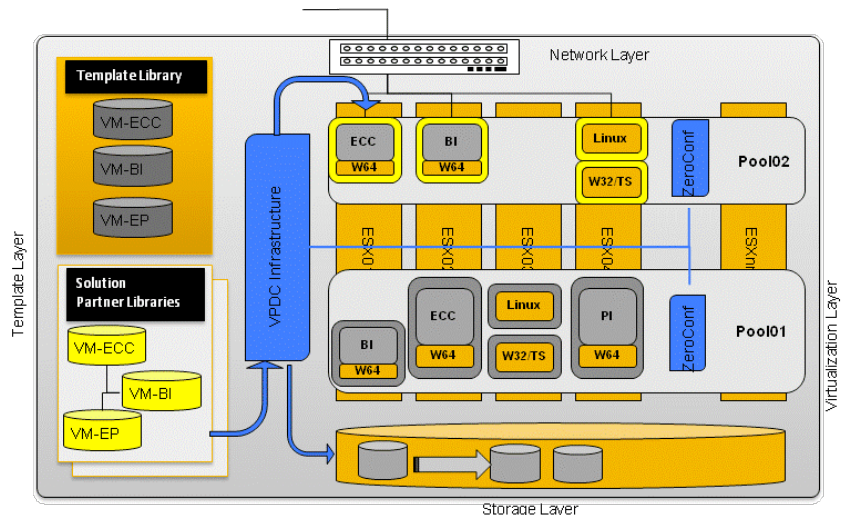
Value Prototyping & The Technical Challenges

In the past 7 years more than 1000 customers took advantage of "value prototyping" services delivered by SAP's Center of Excellence (CoE) to improve and accelerate their SAP projects. In 2008 more than 400 prototypes were successfully completed by the CoE. Hundreds of complex system landscapes have been installed, configured and provisioned in a LAB environment providing secure access for international project teams. Customer data and project specific configurations are applied by specialists from the Center of Excellence and Customers and Partners.

Project constraints require the SAP landscape often to be up and running in less than a day.

In this environment the amount of systems and the frequency of changes are extremely challenging and the technical requirements running such a data center are tremendous.

- 1000's of systems must be installed in a very short amount of time.
- Sophisticated cloning techniques must be developed in order to re-use the configuration of a landscape and built a library of pre-configured templates.
- Internal and remote access need to be in place to ensure a reliable working environment while keeping the customers data secure.



SAP's CoE has achieved significant TCO reduction and SLA improvements through automatic monitoring of operations and a more efficient usage of hardware through virtualization.

Virtualization - A Reliable Platform

Since 2005 the Center of Excellence is working on improving system provisioning through an optimized utilization of Hardware features, application virtualization and sophisticated cloning techniques. In 2008 the CoE started a strategic collaboration with it's partners GOPA IT Consultants and fluid Operations to revolutionize the system provisioning with the development of the Virtual Private Data Center (VPDC) – a cloud computing platform for SAP.

In its current version the VPDC is a solution built on VMware's virtualization Infrastructure, NetApp's storage systems and fluid Operations eCloud Manager. At the CoE datacenter in Walldorf, more than 100 SAP system landscapes with more than 500 virtual machines are running on VMware's ESX infrastructure, providing a stable project environment for



VIRTUAL PRIVATE DATA CENTER

"Virtualization improve SAP System provisioning"

almost all SAP business application products.

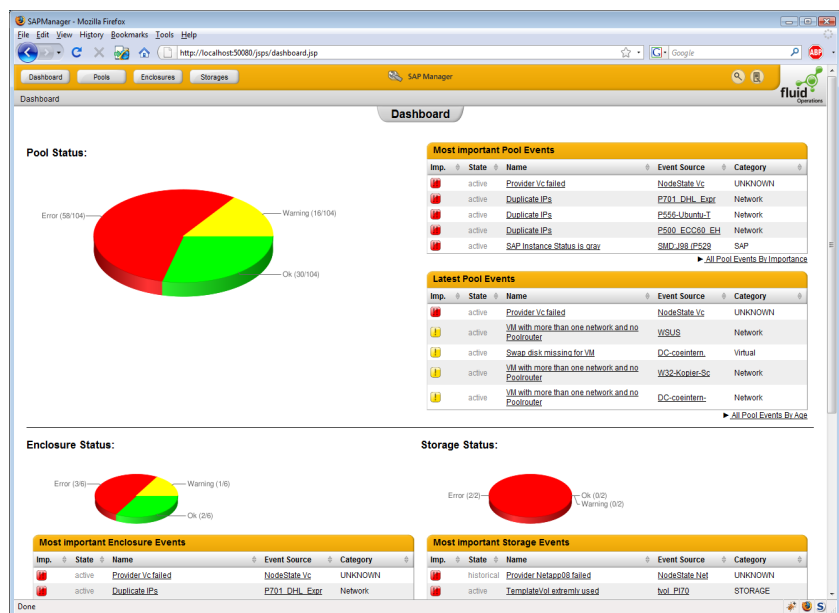
Virtualization is proven as a stable and reliable platform for running any kind of SAP application - from a small virtual machine running a single SAP user desktop up to an ERP system with a 1 TByte database.

TCO Reduction Through Virtualization

The Virtual Private Data Center is designed to improve the provisioning and operation of SAP landscapes dramatically.

Some of the features are:

- Highly optimized utilization of required HW through virtualization and support of all virtual platforms.
 - Currently VMware is the first virtualization solution, while Hyper-V, XEN and physical servers will follow
- Automated configuration through "Zero-Config" Appliance
 - Networking, name resolution, Firewall
- Built-in remote access
 - Pool router, RDP, Citrix, VPN
- Template library of virtual appliances – virtual appliance factory
 - Proven systems configured & tested in the CoE
 - Complete landscapes (partner, customer, ...)
- **eCloud Manager – SAP Edition** as central administration and monitoring solution
 - System provisioning (clone, backup)
 - Event and monitoring, automatic system identification and configuration.
 - Admin and customer cockpit



Keeping Your Commitment - SLA

Features of Virtualization Infrastructures such as VMotion, DR, together with eCloud Managers built-in SAP and infrastructure monitoring, zero configuration and cloning wizard can have a major impact on SLA improvements. Higher system uptime, dramatic provisioning speed and much higher flexibility would not be possible without virtualization in the concept of VPDC and the eCloud Manager.

Contact

Ralf Lindenlaub
Sr. Director Netweaver Platform Services, SAP CoE
+1 404 428-6645
ralf.lindenlaub@sap.com

Bernd Herth
CTO, GOPA IT Consultants
+1 408 893 8911
bernd.herth@gopa-itc.com /
bernd.herth@sap.com